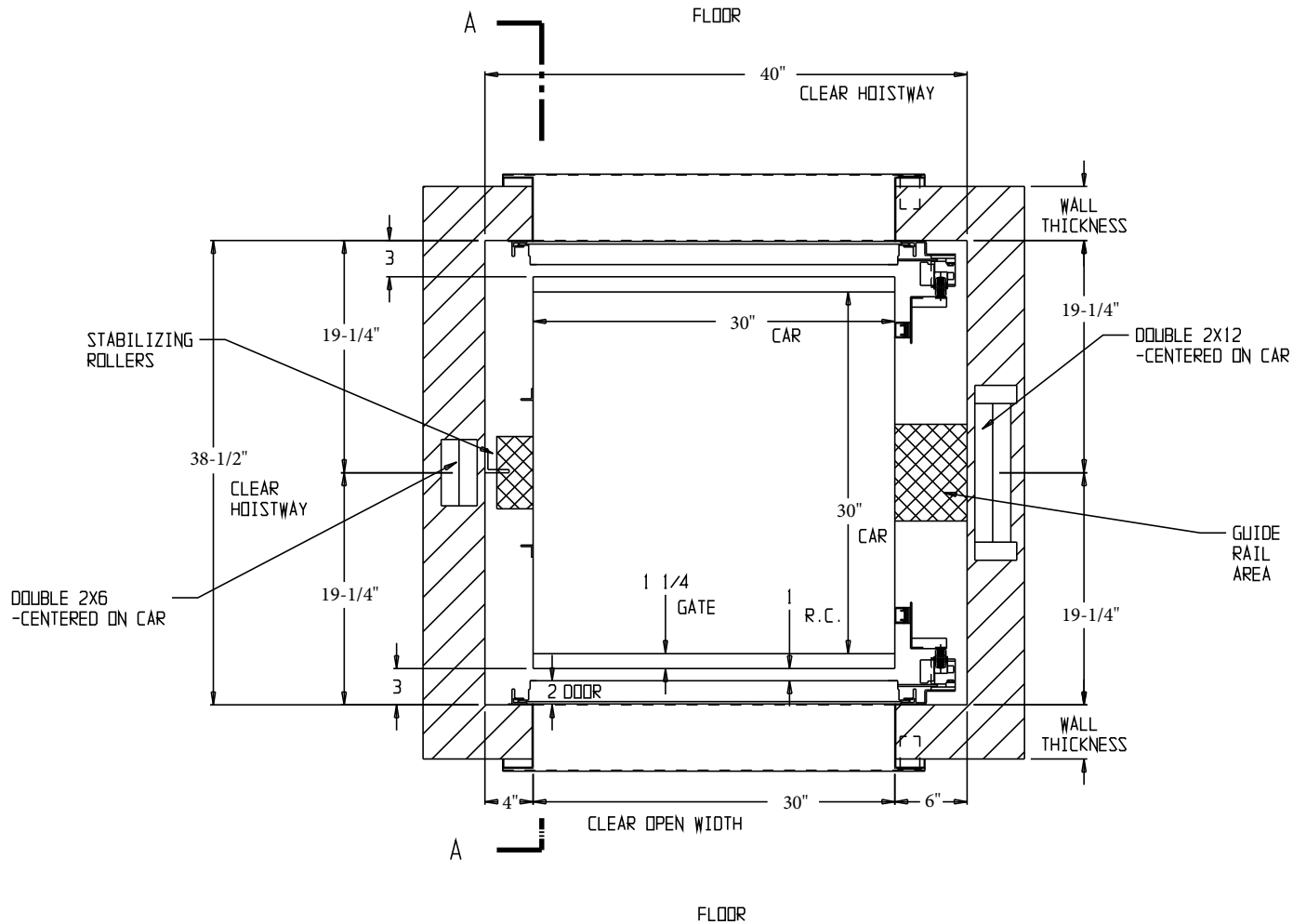


(SEE DRAWING NO. 1000-501 FOR SECTION ELEVATION "A-A")



Compliant with all current ASME A17.1 & CSA B44 Codes

REVISIONS

REV	DESCRIPTION	DATE	BY

STOPS: 2 IN-LINE OPP.

OPENINGS: 2 @ Upper & Lower

TRAVEL: TBD RATED LOAD: 250 Lb

HOISTWAY DOORS	<input checked="" type="checkbox"/> BI-PARTING	DRYWALL CONSTRUCTION
	<input checked="" type="checkbox"/> SWING	MASONRY CONSTRUCTION
	<input checked="" type="checkbox"/> FLOOR LOADING	PLAIN STEEL - PRIMED
	<input checked="" type="checkbox"/> STAINLESS SILLS	<input checked="" type="checkbox"/> STAINLESS STEEL - #4
	<input checked="" type="checkbox"/> FUSIBLE LINK	<input checked="" type="checkbox"/> COUNTER LOADING
	<input checked="" type="checkbox"/> 1 1/2 HR UL "B" LABEL	
<input checked="" type="checkbox"/> EMERGENCY RELEASE		
<input checked="" type="checkbox"/> NON-PLUGABLE INTERLOCK		

HG-1 SINGLE CONTACT DOOR LOCK & CONTACT NEMA 1

HG-2 DOUBLE CONTACT INTERLOCK NEMA 1

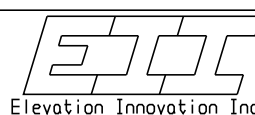
JAMB MOUNTED 24V GEN-II KEYPAD WITH IN USE AND CAR HERE LIGHTS

CAR GATE	<input type="checkbox"/> PLAIN STEEL	<input checked="" type="checkbox"/> STAINLESS STEEL - #4
	<input checked="" type="checkbox"/> BI-PARTING	COLLAPSIBLE
ACCESS DOOR	<input type="checkbox"/> SLIDE-UP	ALUMINUM BY EII
	<input checked="" type="checkbox"/> PLAIN STEEL	<input checked="" type="checkbox"/> STAINLESS STEEL - #4
<input checked="" type="checkbox"/>	<input checked="" type="checkbox"/> 1 1/2 HR UL "B"	NONE / BY OTHERS

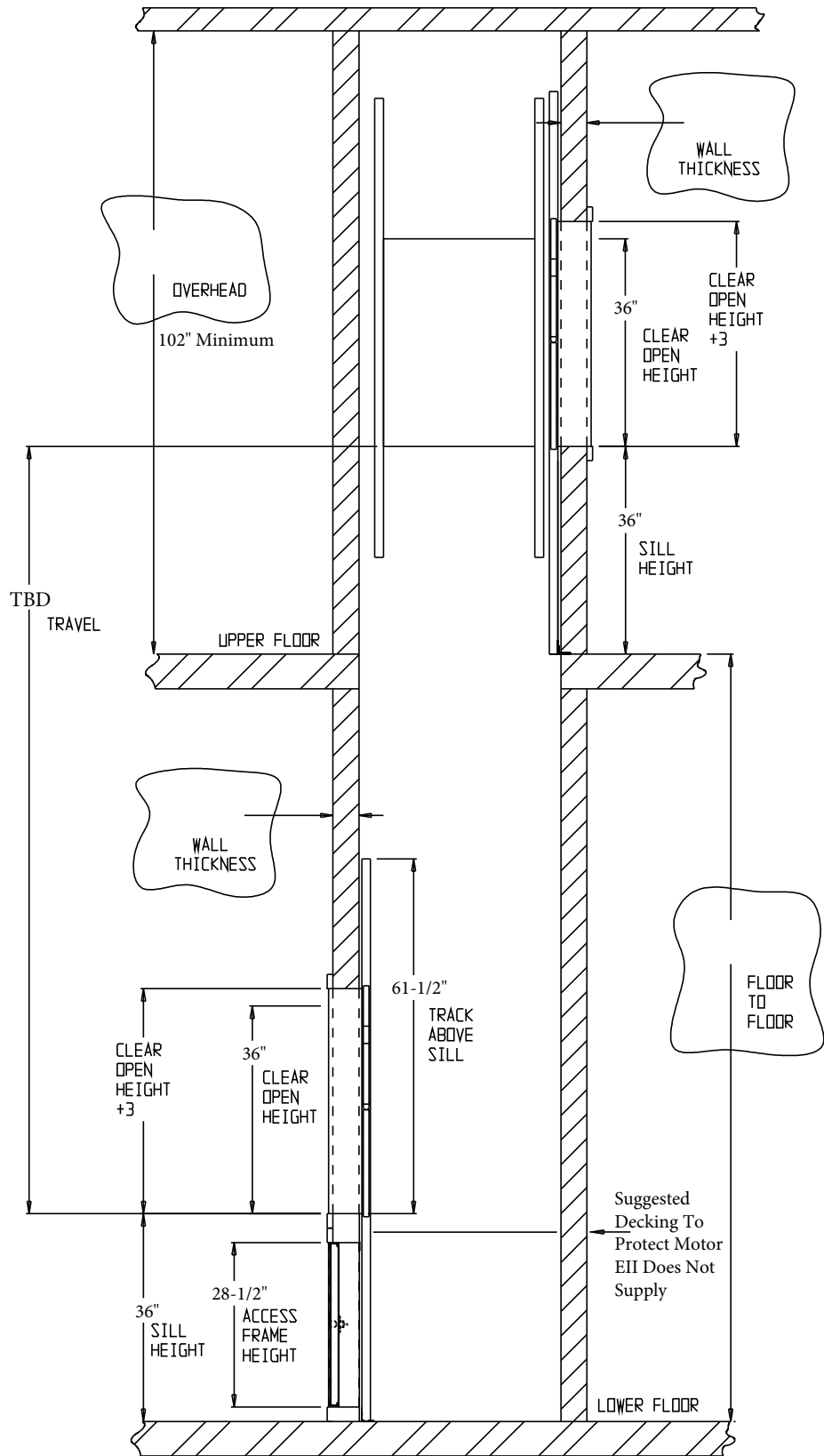
HOISTWAY TO BE BUILT BEFORE DUMBWAITER IS INSTALLED EXCEPT THE WALLS ARE TO BE OMITTED WHERE HOISTWAY DOORS OCCUR UNTIL THE DUMBWAITER IS INSTALLED & HOISTWAY DOORS ARE SET IN PLACE

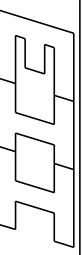
SPECIAL REQUIREMENTS

DRIVE TYPE: WINDING DRUM
 RATED SPEED: 30 FPM
 CONTROLLER MODEL: INTELI-LIFT
 POWER: 115V 20 AMP

CUSTOMER	JOB NAME	SHIP TO	TITLE: Inteli-Lift 30 x 30 x 36 Front Back with Bi-Parting Gates		
			APPROVED		
			DATE	SHEET	1 OF 2
					

TRACK ABOVE SILL = (COH/2) + COH + 7 1/2
 COH IS THE CLEAR OPEN HEIGHT



CUSTOMER		JOB NAME		SHIP TO	
TITLE: DUMWATER SECTION ELEVATION "A-A"					
APPROVED		SHEET	2 OF 2	 Elevation Innovation Inc	
DATE					