

Compliant with all current with all ASME A17.1 & CSA B44 Codes

REVISIONS

REV	DESCRIPTION	DATE	BY

STOPS: 2 IN-LINE OPP.

OPENINGS: 2 Upper & Lower

TRAVEL: TBD RATED LOAD: 300 Lb

HOISTWAY DOORS	<input checked="" type="checkbox"/>	SLIDE-UP	DRYWALL CONSTRUCTION
	<input type="checkbox"/>	SWING	MASONRY CONSTRUCTION
	<input type="checkbox"/>	FLOOR LOADING	PLAIN STEEL - PRIMED
	<input checked="" type="checkbox"/>	STAINLESS SILLS	STAINLESS STEEL - #4
	<input type="checkbox"/>	FUSIBLE LINK	COUNTER LOADING
	<input checked="" type="checkbox"/>	1 1/2 HR UL "B" LABEL	
<input checked="" type="checkbox"/>	EMERGENCY RELEASE		
<input checked="" type="checkbox"/>	NON-PLUGGABLE INTERLOCK		

HG-1 SINGLE CONTACT DOOR LOCK & CONTACT NEMA 1

HG-2 DOUBLE CONTACT INTERLOCK NEMA 1

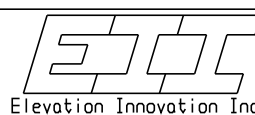
JAMB MOUNTED 24V GEN-II KEYPAD WITH IN USE AND CAR HERE LIGHTS

CAR GATE	<input type="checkbox"/>	PLAIN STEEL	STAINLESS STEEL - #4
	<input type="checkbox"/>	BI-PARTING	COLLAPSIBLE
ACCESS DOOR	<input checked="" type="checkbox"/>	SLIDE-UP	ALUMINUM BY EII
	<input checked="" type="checkbox"/>	PLAIN STEEL	STAINLESS STEEL - #4
<input checked="" type="checkbox"/>	1 1/2 HR UL "B"		NONE / BY OTHERS

HOISTWAY TO BE BUILT BEFORE DUMBWAITER IS INSTALLED EXCEPT THE WALLS ARE TO BE OMITTED WHERE HOISTWAY DOORS OCCUR UNTIL THE DUMBWAITER IS INSTALLED & HOISTWAY DOORS ARE SET IN PLACE

SPECIAL REQUIREMENTS

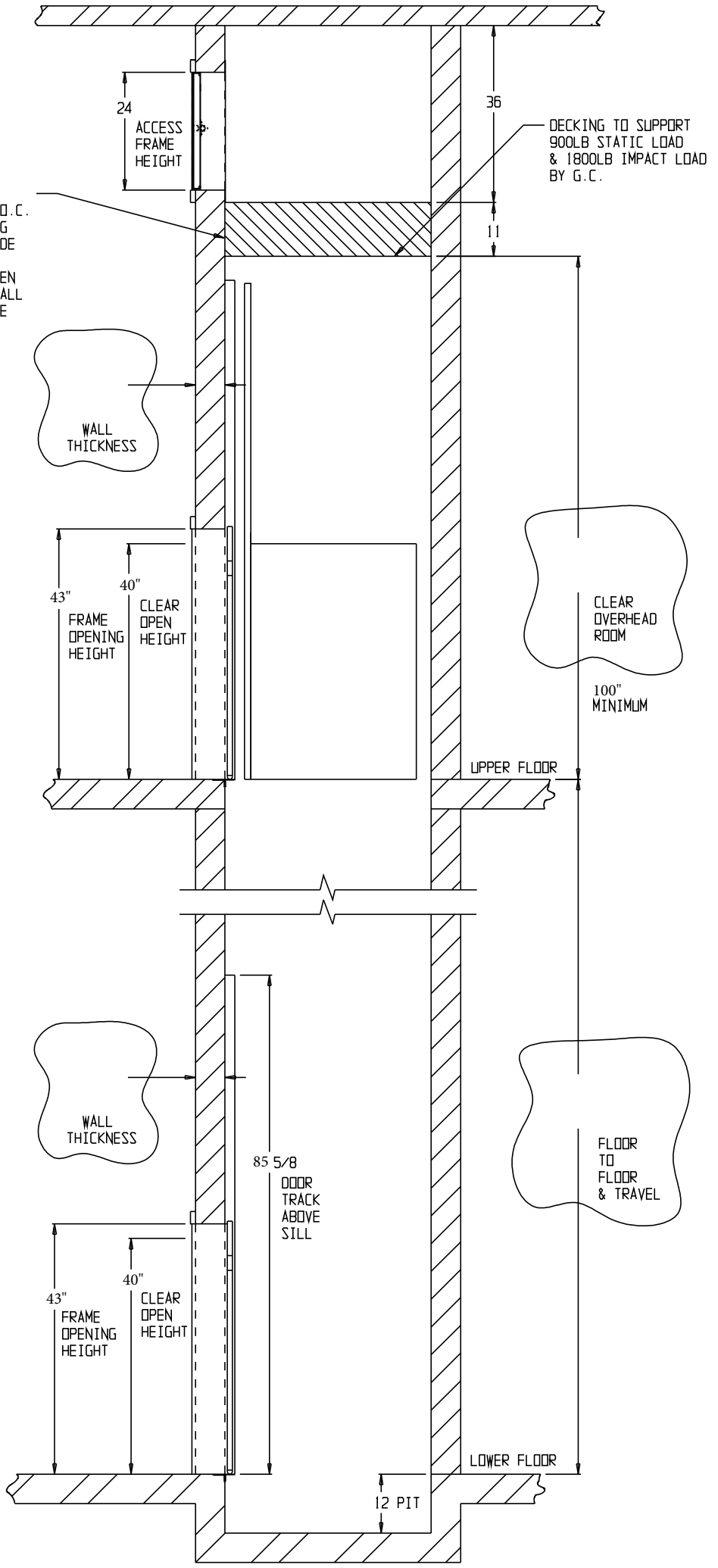
DRIVE TYPE: WINDING DRUM
 RATED SPEED: 50 FPM
 CONTROLLER MODEL: INTELI-LIFT
 POWER: 208-230V SINGLE OR 3 PHASE 20 AMP

CUSTOMER	JOB NAME	SHIP TO	TITLE: Inteli-Lift 30 x 30 x 40 Same Side with Slide up Gate	
			APPROVED	
			DATE	SHEET 1 OF 2
				

REV	DESCRIPTION	DATE	BY

REVISIONS

MOTOR PLATFORM
 2X10 JOISTS 12" O.C.
 WITH 2X10 DECKING
 OR EQUIVALENT MADE
 FROM STEEL
 7 1/2" GAP BETWEEN
 DECKING & RAIL WALL
 FOR LIFTING CABLE



CUSTOMER		JOB NAME		SHIP TO	
TITLE: DUMBWATER SECTION ELEVATION "A-A"				SEE PAGE 1	
APPROVED	DATE	 Elevation Innovation Inc. JOB NO.			