



**Elevation Innovation Inc.**

TITLE: INTELL-LIFT 125 DUMBWATER

DOORS - SAME SIDE  
24"W x 24"D x 24"H 125 lb. Capacity

REVISIONS

REV	DESCRIPTION	DATE	BY

REV	DESCRIPTION	DATE	BY

STOPS: 2  IN-LINE  OPP.

OPENINGS: 2  LOWER,  UPPER.

TRAVEL: T.B.O.

<input checked="" type="checkbox"/> FRONT/BACK	<input checked="" type="checkbox"/> DRYWALL CONSTRUCTION
<input type="checkbox"/> SLIDE-UP	<input type="checkbox"/> MASONRY CONSTRUCTION
<input type="checkbox"/> FLOOR LOADING	<input type="checkbox"/> PLAIN STEEL - PRIMED
<input type="checkbox"/> HOISTWAY DOORS	<input type="checkbox"/> STAINLESS STEEL - #4
<input type="checkbox"/> FUSIBLE LINK	<input type="checkbox"/> COUNTER LOADING
<input type="checkbox"/> 1 1/2 HR U/L "B" LABEL	
<input type="checkbox"/> EMERGENCY RELEASE	
<input type="checkbox"/> NON-PLUGABLE INTERLOCK	

<input checked="" type="checkbox"/> HG-1 SINGLE CONTACT DOOR LOCK & CONTACT NEMA 1	
<input checked="" type="checkbox"/> HG-2 DOUBLE CONTACT INTERLOCK NEMA 1	

JAMB MOUNTED 24V PUSHBUTTON STATIONS:

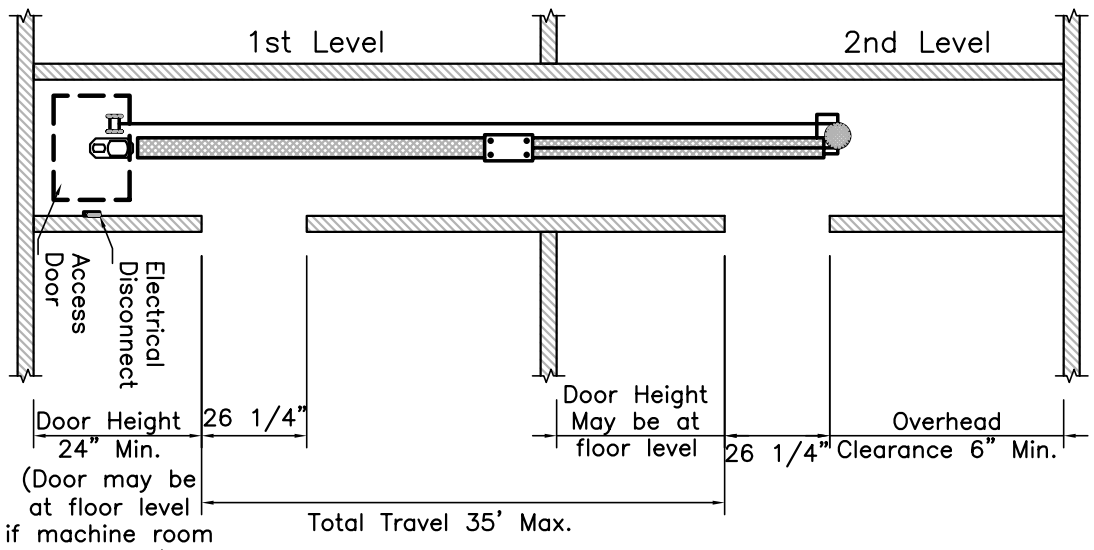
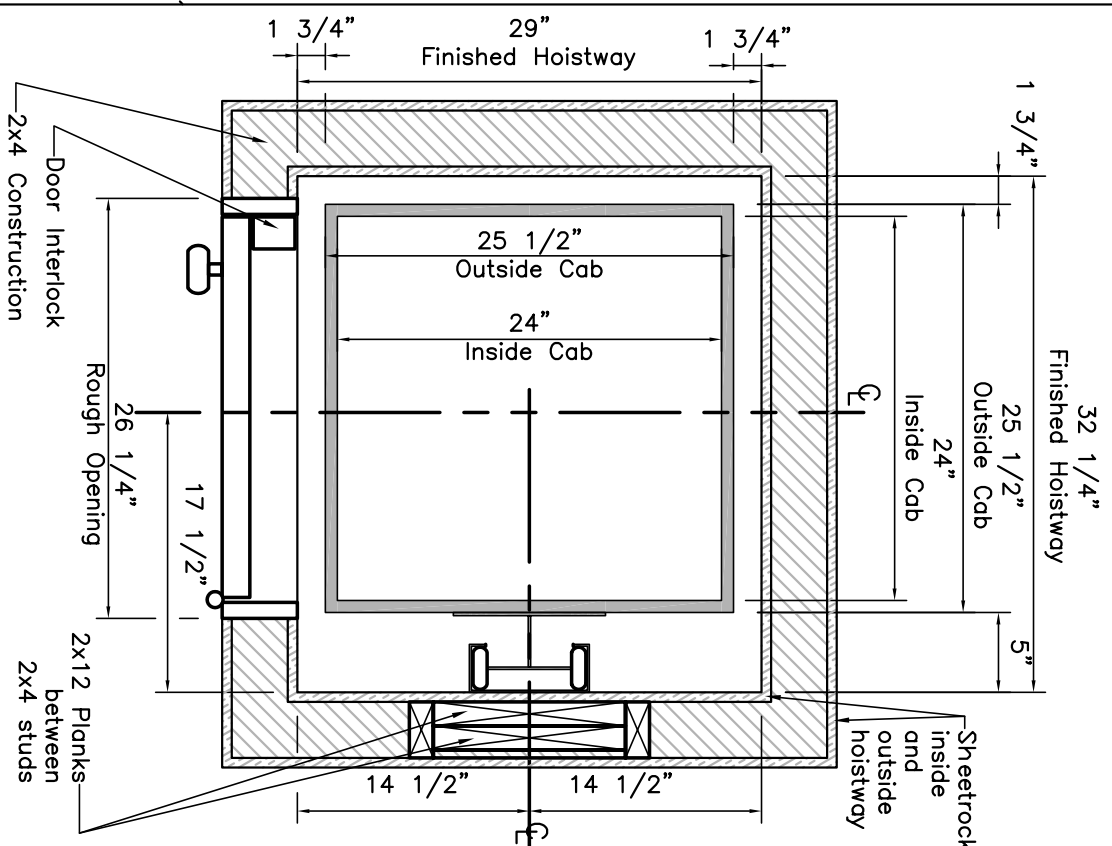
NON-ILLUMINATED  ILLUMINATED  
 BUTTONS:  UP  DOWN  1  2  3  
 LIGHTS:  CAR HERE  IN USE  
 HEADER MOUNTED 24V CAR ARRIVAL LIGHTS

CAR GATE	<input type="checkbox"/> ALUMINUM	
ACCESS DOOR	<input checked="" type="checkbox"/> SLIDE-UP	BY: EII
	<input type="checkbox"/> PLAIN STEEL	<input checked="" type="checkbox"/> STAINLESS STEEL - #4
	<input checked="" type="checkbox"/> 1 1/2 HR U/L "B"	NONE / BY OTHERS

HOISTWAY TO BE BUILT BEFORE DUMBWATER IS INSTALLED EXCEPT THE WALLS ARE TO BE OMITTED WHERE HOISTWAY COPS OCCUR UNTIL THE DUMBWATER IS INSTALLED & HOISTWAY DOORS ARE SET IN PLACE

POWER SUPPLY: A LOCKABLE FUSED DISCONNECT MUST BE PROVIDED IN ACCORDANCE WITH LOCAL ELECTRICAL CODES. THE SUPPLY MUST BE A 115V, 15A DEDICATED CIRCUIT.

DOORS: DOORS MUST MEET LOCAL FIRE CODE. INTERLOCK DEVICES ARE PROVIDED AND MUST BE MOUNTED TO DOORS AS DIRECTED IN THE INSTALLATION GUIDE.



HOISTWAY: THE HOISTWAY MUST BE IN ACCORDANCE WITH "SAFETY CODE FOR ELEVATORS AND ESCALATORS" (ASME A17.1) AND ALL STATE AND LOCAL CODES.

PLUMB HOISTWAY: DUE TO CLOSE RUNNING CLEARANCES OWNER/AGENT MUST ENSURE THAT HOISTWAY IS PLUMB, AND SQUARE AND IS IN ACCORDANCE WITH DIMENSIONS ON THESE DRAWINGS.

CUSTOMER: \_\_\_\_\_ SHIP TO: \_\_\_\_\_

JOB NAME: \_\_\_\_\_ DATE APPROVED: \_\_\_\_\_ SHEET 1 OF 2

APPROVED BY: \_\_\_\_\_ OPENING: SAME SIDE DWG NO. \_\_\_\_\_

DATE: 10/26/09